

Bowl Styles

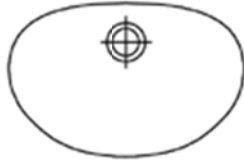
Chrystal

Cabinet has to be at least 23" deep for this bowl



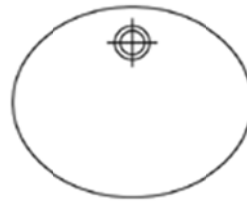
Small Oval

15" X 10 3/8"



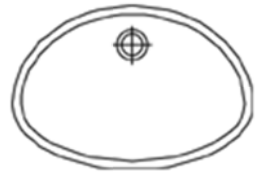
Large Oval

17 1/2" X 14 1/8"



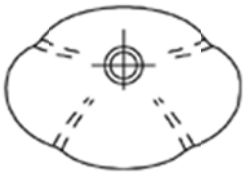
Canadian

20" X 13 3/4"



Oval Recessed oval

22 3/4" X 18"



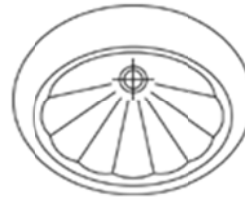
Small Sun Fluted

15" X 10 1/2"



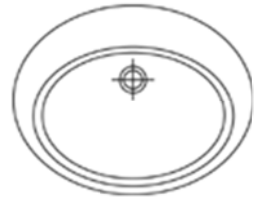
Hilo W/Soap Dish

18 7/8" X 13 1/8"

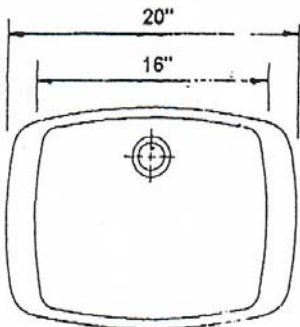


Recessed Shell

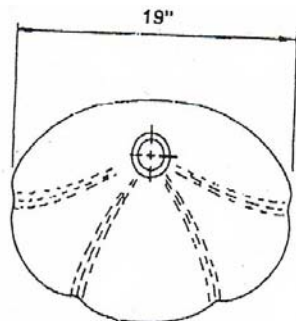
22 3/4" X 18"



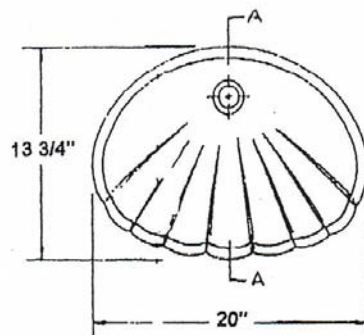
Square



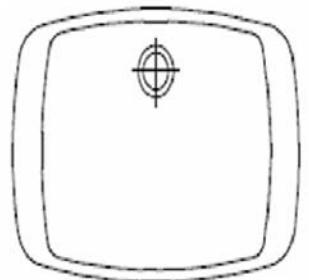
LaPaz



Canadian Shell



Bonnie Bowl



Fleur-de-Lis
(Top Mount Bowl)

